

CROWN

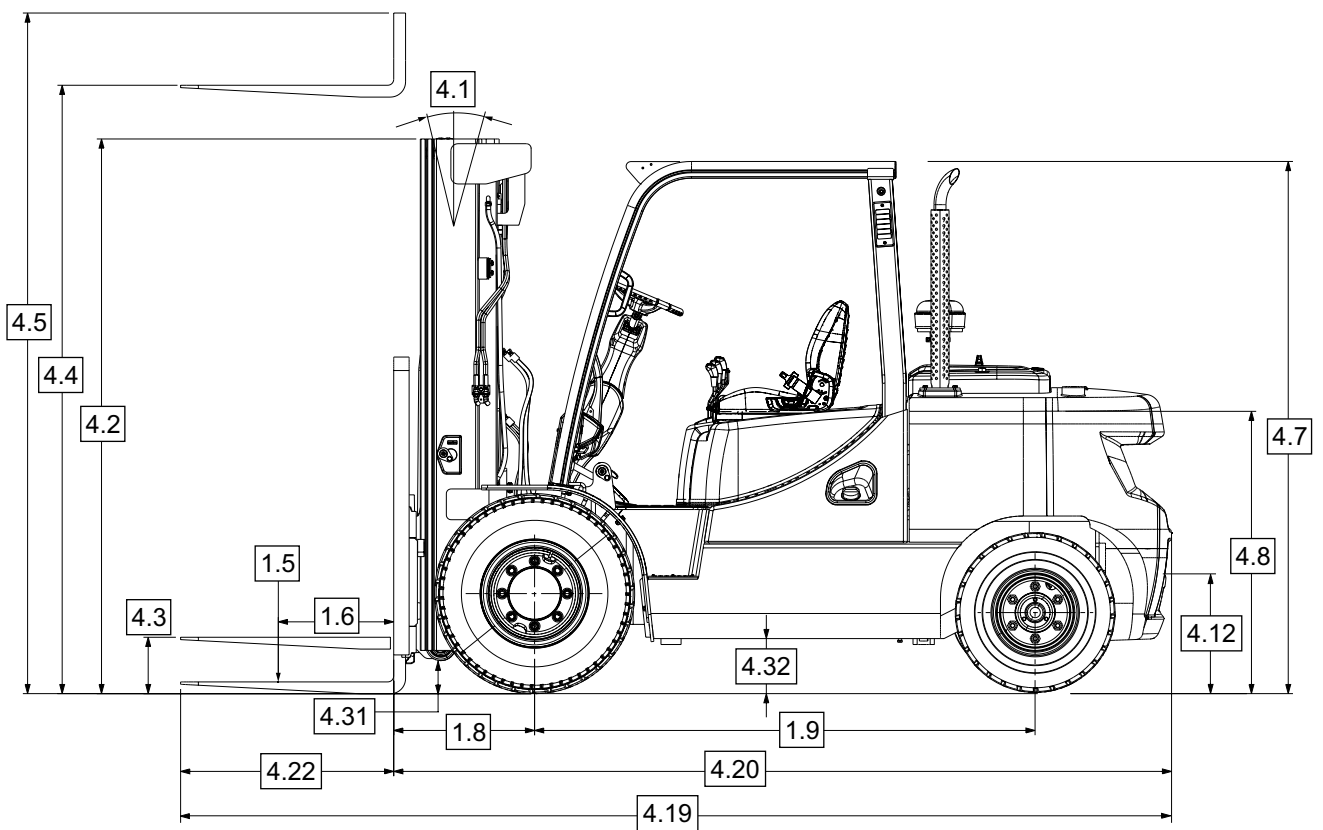
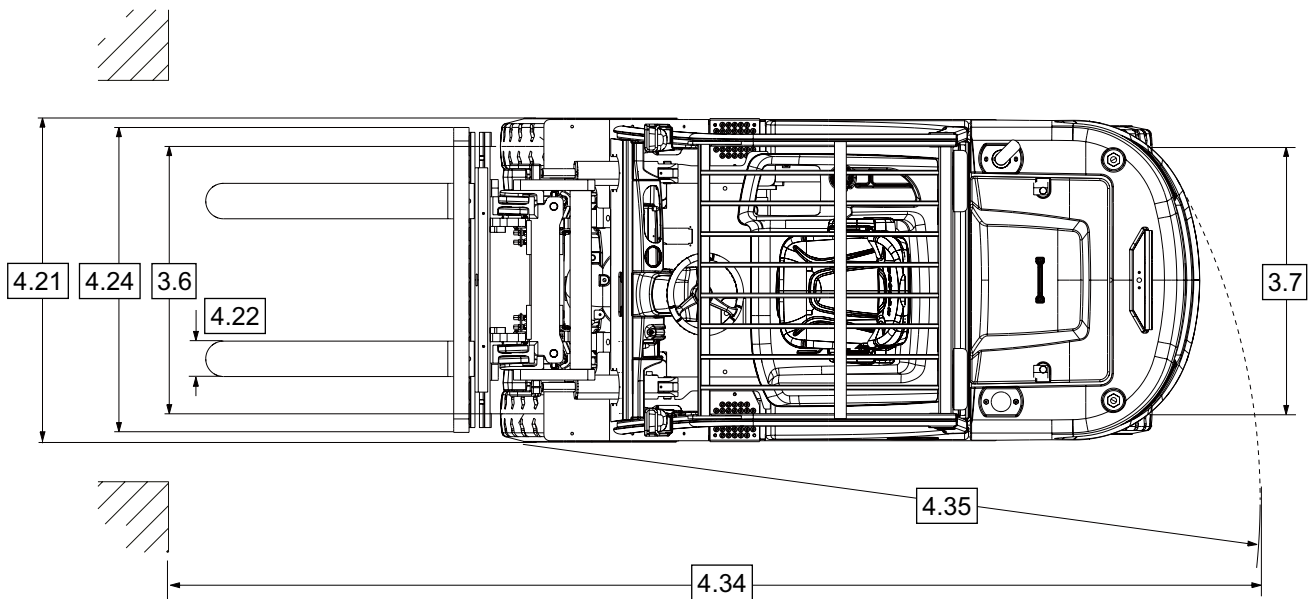
C-G

3,500 - 5,500 kg Capacity

Specifications

LPG Counterbalance Lift Truck





C-G 35-55 Series Specifications

C-G 35-55 Series Specifications

Distinguishing Mark	1.2	Model			C-G 35 S-7	C-G 40 S-7	C-G 45 S-7	
	1.3	Power Source	Electric, Diesel, LPG, Gasoline		LPG			
	1.4	Operator Type			Sit-down Rider Counterbalance			
	1.5	Rated Capacity		Q	t	3.5	4.0	4.5
	1.6	Load Centre		c	mm	600		
	1.8	Load Distance	Center of wheel to fork face	x	mm	560		
Weight	1.9	Wheelbase		y	mm	2000		2100
	2.1	Service Weight	Less battery		kg	5790	6180	6550
	2.2	Axle Load	With load front / rear		kg	8215/1075	8980/1200	9800/1250
Tyres/Wheels/Chassis	2.3	Axle Load	Without load front / rear		kg	2685/3105	2660/3520	2810/3740
	3.1	Tyres			Pneumatic			
	3.2	Tyre Size	Front, OD x Width x Rim Dia.		mm	8.25X15-14PR/ 7.50X16-12PR	300X15-18PR/ 7.50X16-12PR	
	3.3	Tyre Size	Rear, OD x Width x Rim Dia.		mm	7.00X12-12PR		
	3.5	Wheels	Number (x=driven) front/rear			2x / 2		
	3.6	Tread	Front	b ₁₁	mm	1138 / 1290	1153 / 1290	
	3.6	Tread	Rear	b ₁₂	mm	1115		
Dimensions	4.1	Mast Tilt, Fork Carriage	Forward / backward	α / β	°	8 / 10		
	4.2	Mast Collapsed Height		h ₁	mm	2225	2230	
	4.3	Free-lift		h ₂	mm	160		
	4.4	Lift Height		h ₃	mm	3000		
	4.5	Mast Extended Height		h ₄	mm	4265	4270	4420
	4.7	Overhead Guard Height		h ₆	mm	2225	2230	
	4.8	Seat Height	Relating to SIP/stand height	h ₇	mm	1248	1255	
	4.12	Coupler Height		h ₁₀	mm	391		
	4.19	Overall Length		l ₁	mm	4165	4215	4480
	4.20	Head Length	Length to fork face	l ₂	mm	3115	3165	3280
	4.21	Overall Width		b ₁	mm	1370	1455	
	4.22	Fork Dimension	DIN ISO 2331	s/e/l	mm	50x150x1050		50x150x1200
	4.23	Fork Carriage	ISO 2328, Class/Type A, B		class	III		IV
	4.24	Fork Carriage Width		b ₃	mm	1250		1330
	4.31	Ground Clearance	With load, below mast	m ₁	mm	150	160	
	4.32		With load, centre wheelbase	m ₂	mm	205		
	4.34.1	Aisle Width	For pallets 1000x1200 crossways	A _{st}	mm	4542	4592	4637
	4.34.2		For pallets 800x1200 lengthways	A _{st}	mm	4742	4792	4837
4.35	Turning Radius		W _a	mm	2782	2832	2877	
4.36	Internal Turning Radius		b ₁₃	mm	1007		1070	
Performance Data	5.1	Travel Speed	With load / without load		km/h	20 / 21	19.5 / 20.5	
	5.2	Lift Speed	With load / without load		m/s	0.50/0.54		
	5.3	Lowering Speed	With load / without load		m/s	0.48/0.45		
	5.5	Drawbar Pull	With load (5 min. rating)		N	29890	29380	29390
	5.6	Max. Drawbar Pull	With load (5 min. rating)		N	34740	34140	34320
	5.7	Gradeability	With load / without load (5 min. rating)		%	34.7/60.0	30.8/54.1	28.2/50.1
	5.8	Max. Gradeability	With load / without load (5 min. rating)		%	41.3/73.4	36.4/65.4	33.1/60.1
	5.10	Service Brake	Service brake			Foot / Hydraulic		
			Parking brake			Hand / Mechanical		
	Combustion Engine	7.1	Engine Manufacturer / Type			Kubota / WG3800		
7.2		Engine Power according to ISO 1585		kW	69			
7.3		Rated Speed		min-1	2500			
7.3.1		Torque at 1/min		Nm	290			
7.4		Number of Cylinders / Displacement		-/cm ³	4 / 3769			
7.5		Fuel Consumption as per EN 16796 (LPG)		kg/h	5.8	6.1	6.4	
7.5.6		CO2 equivalent as per EN 16796 (LPG)		kg/h	19.7	20.7	21.7	
7.10	Battery Voltage/Nominal Capacity		V/Ah	12 / 75				
Add. Data	10.1	Available Working Pressure for Attachments		bar	140			
	10.2	Oil Flow for Attachments		l/min	80			
	10.7	Sound Pressure Level at the Operator's Seat		dB(A)	84.5			

C-G 50 C-7	C-G 55 C-7	C-G 40 SC-7	C-G 45 SC-7	C-G 50 SC-7	C-G 55 SC-7
LPG					
Sit-down Rider Counterbalance					
5.0	5.5	4.0	4.5	5.0	5.5
600		500			
570		560		570	
2100		2000		2100	
7050	7390	5790	6180	6550	7050
10680/1370	11370/1520	8215/1075	8980/1200	9800/1250	10680/1370
2890/4160	2800/4590	2685/3105	2660/3520	2810/3740	2890/4160
Pneumatic					
300X15-18PR/ 7.50X16-12PR		8.25X15-14PR/ 7.50X16-12PR		300X15-18PR/ 7.50X16-12PR	
7.00X12-14PR		7.00X12-12PR			7.00X12-14PR
2x / 2					
1153 / 1290		1138 / 1290		1153 / 1290	
1115					
8 / 10					
2380		2225		2230	
170		160			170
3050		3000			3050
4470		4265	4270	4420	4470
2230		2225		2230	
1255		1248		1255	
391					
4525	4550	4165	4215	4480	4525
3325	3350	3115	3165	3280	3325
1455		1370		1455	
60x150x1200		50x150x1050			60x150x1200
IV		III		IV	
1330		1250		1330	
160		150		160	
205					
4695	4745	4542	4592	4637	4695
4895	4945	4742	4792	4837	4895
2925	2975	2782	2832	2877	2925
1070		1007		1070	
19.5 / 20.5		20 / 21		19.5 / 20.5	
0.49/0.54		0.47/0.54		0.50/0.54	
0.49/0.45		0.48/0.45			
29220	29010	29890	29380	29390	29220
34060	33860	34740	34140	34320	34060
25.5/45.5	23.6/42.9	34.7/60.0	30.8/54.1	28.2/50.1	25.5/45.5
30.1/54.2	27.8/50.9	41.3/73.4	36.4/65.4	33.3/60.1	30.1/54.2
Foot / Hydraulic					
Hand / Mechanical					
Kubota / WG3800					
69		70		69	
2500					
290					
4 / 3769					
6.7	7.0	5.8	6.1	6.4	6.7
22.7	23.7	19.7	20.7	21.7	22.7
12 / 75					
140					
80					
84.5					

Note: Values listed in the specification sheet have been rounded. Performance may vary due to operation conditions and / or forklift configurations.

Products and specifications are subject to change without prior notice.

Mast Chart C-G 35 S-7 / C-G 40 SC-7

Mast Type	Max. Fork Height h ₃	Mast Collapsed Height h ₁	Mast Extended Height h ₄		Mast Free-lift Height h ₂		Rated Load Capacities							
			With Load Backrest	Without Load Backrest	With Load Backrest	Without Load Backrest	Tilt Angle				Load Capacities			
							Single Pneumatic		Double Pneumatic		Single Pneumatic		Double Pneumatic	
			FWD	BWD	FWD	BWD	LC 500 mm	LC 600 mm	LC 500 mm	LC 600 mm				
	mm	mm	mm	mm	mm	mm	deg	deg	deg	deg	kg	kg	kg	kg
TL	3000	2225	4265	3920	160	160	8	10	8	10	4000	3655	4000	3655
	3300	2375	4565	4220	160	160	8	10	8	10	4000	3655	4000	3655
	3650	2550	4915	4570	160	160	8	10	8	10	4000	3655	4000	3655
	4000	2875	5265	4920	160	160	8	10	8	10	4000	3655	4000	3655
	4250	3000	5515	5170	160	160	8	10	8	10	4000	3655	4000	3655
	4850	3450	6115	5770	160	160	8	8	8	10	3850	3520	3875	3545
TF	3000	2205	4250	3815	1005	1440	8	10	8	10	4000	3660	4000	3660
TT	4000	2090	5265	4810	890	1340	8	8	8	8	3975	3645	4000	3670
	4250	2175	5530	5075	975	1430	8	8	8	8	3900	3575	3950	3625
	4700	2325	5980	5525	1125	1580	8	8	8	8	3775	3465	3800	3485
	5150	2475	6430	5975	1275	1730	8	5	8	8	3650	3350	3675	3370
	5600	2625	6880	6425	1425	1880	8	3	8	8	3525	3235	3550	3255
	6050	2775	7330	6875	1575	2030	8	3	8	5	3075	2820	3450	3165

Mast Chart C-G 40 S-7 / C-G 45 SC-7

Mast Type	Max. Fork Height h ₃	Mast Collapsed Height h ₁	Mast Extended Height h ₄		Mast Free-lift Height h ₂		Rated Load Capacities							
			With Load Backrest	Without Load Backrest	With Load Backrest	Without Load Backrest	Tilt Angle				Load Capacities			
							Single Pneumatic		Double Pneumatic		Single Pneumatic		Double Pneumatic	
			FWD	BWD	FWD	BWD	LC 500 mm	LC 600 mm	LC 500 mm	LC 600 mm				
	mm	mm	mm	mm	mm	mm	deg	deg	deg	deg	kg	kg	kg	kg
TL	3000	2230	4270	3920	160	160	8	10	8	10	4500	4115	4500	4115
	3300	2380	4570	4220	160	160	8	10	8	10	4500	4115	4500	4115
	3650	2555	4920	4570	160	160	8	10	8	10	4500	4115	4500	4115
	4000	2880	5270	4920	160	160	8	10	8	10	4500	4115	4500	4115
	4250	3005	5520	5170	160	160	8	10	8	10	4500	4115	4500	4115
	4850	3455	6120	5770	160	160	8	8	8	10	4400	4025	4250	4045
TF	3000	2210	4255	3820	1010	1445	8	10	8	10	4500	4115	4500	4115
TT	4000	2090	5270	4815	890	1345	8	8	8	8	4500	4125	4500	4125
	4250	2180	5535	5080	980	1435	8	8	8	8	4475	4105	4500	4125
	4700	2330	5985	5530	1130	1585	8	8	8	8	4325	3965	4350	3900
	5150	2480	6435	5980	1280	1735	8	5	8	8	4175	3830	4225	3875
	5600	2630	6885	6430	1430	1885	8	3	8	5	4050	3715	4075	3740
	6050	2780	7335	6880	1580	2035	8	3	8	3	3800	3485	3950	3625

Mast Chart C-G 45 S-7 / C-G 50 SC-7

Mast Type	Max. Fork Height h ₃	Mast Collapsed Height h ₁	Mast Extended Height h ₄		Mast Free-lift Height h ₂		Rated Load Capacities							
			With Load Backrest	Without Load Backrest	With Load Backrest	Without Load Backrest	Tilt Angle				Load Capacities			
							Single Pneumatic		Double Pneumatic		Single Pneumatic		Double Pneumatic	
			FWD	BWD	FWD	BWD	LC 500 mm	LC 600 mm	LC 500 mm	LC 600 mm				
	mm	mm	mm	mm	mm	mm	deg	deg	deg	deg	kg	kg	kg	kg
TL	3000	2230	4420	3950	160	160	8	10	8	10	5000	4570	5000	4570
	3300	2380	4720	4250	160	160	8	10	8	10	5000	4570	5000	4570
	3650	2555	5070	4600	160	160	8	10	8	10	5000	4570	5000	4570
	4000	2880	5420	4950	160	160	8	10	8	10	5000	4570	5000	4570
	4250	3005	5670	5200	160	160	8	10	8	10	5000	4570	5000	4570
	4850	3455	6270	5800	160	160	8	5	8	10	4900	4480	4950	4525
TF	3000	2210	4400	3905	860	1355	8	10	8	10	5000	4575	5000	4575
TT	4000	2090	5415	4900	740	1255	8	8	8	8	5000	4585	5000	4585
	4250	2180	5680	5165	830	1345	8	8	8	8	4975	4565	5000	4585
	4700	2330	6130	5615	980	1495	8	8	8	8	4800	4400	4850	4450
	5150	2480	6580	6065	1130	1645	8	3	8	8	4650	4265	4700	4310
	5600	2630	7030	6515	1280	1795	8	3	8	5	4500	4125	4550	4175
	6050	2780	7480	6965	1430	1945	8	3	8	3	3575	3280	4025	3690

Note: Mast specifications and rated capacities are based on standard chassis equipped with Pneumatic tyre without sideshifter.

Mast Chart C-G 50 C-7 / C-G 55 SC-7

Mast Type	Max. Fork Height h_3	Mast Collapsed Height h_1	Mast Extended Height h_4		Mast Free-lift Height h_2		Rated Load Capacities							
			With Load Backrest	Without Load Backrest	With Load Backrest	Without Load Backrest	Tilt Angle				Load Capacities			
							Single Pneumatic		Double Pneumatic		Single Pneumatic		Double Pneumatic	
			FWD	BWD	FWD	BWD	FWD	BWD	LC 500 mm	LC 600 mm	LC 500 mm	LC 600 mm		
mm	mm	mm	mm	mm	mm	deg	deg	deg	deg	kg	kg	kg	kg	
TL	2750	2230	4170	3825	170	170	8	10	8	10	5500	5030	5500	5030
	3050	2380	4470	4125	170	170	8	10	8	10	5500	5030	5500	5030
	3400	2555	4820	4475	170	170	8	10	8	10	5500	5030	5500	5030
	3750	2880	5170	4825	170	170	8	10	8	10	5500	5030	5500	5030
	4000	3005	5420	5075	170	170	8	10	8	10	5500	5030	5500	5030
	4600	3445	6020	5675	170	170	8	8	8	10	5500	5030	5500	5030
TF	2875	2210	4275	3905	870	1240	8	10	8	10	5500	5035	5500	5035
TT	3875	2090	5290	4900	750	1140	8	8	8	8	5500	5050	5500	5050
	4125	2180	5555	5165	840	1230	8	8	8	8	5500	5050	5500	5050
	4575	2330	6005	5615	990	1380	8	8	8	8	5375	4935	5425	4980
	5025	2480	6455	6065	1140	1530	8	5	8	8	5200	4775	5150	4725
	5475	2630	6905	6515	1290	1680	8	3	8	5	4650	4270	4750	4360
	5925	2780	7355	6965	1440	1830	8	3	8	5	3625	3330	3525	3235

Mast Chart C-G 55 C-7

Mast Type	Max. Fork Height h_3	Mast Collapsed Height h_1	Mast Extended Height h_4		Mast Free-lift Height h_2		Rated Load Capacities							
			With Load Backrest	Without Load Backrest	With Load Backrest	Without Load Backrest	Tilt Angle				Load Capacities			
							Single Pneumatic		Double Pneumatic		Single Pneumatic	Double Pneumatic		
			FWD	BWD	FWD	BWD	FWD	BWD	LC 600 mm	LC 600 mm				
mm	mm	mm	mm	mm	mm	deg	deg	deg	deg	kg	kg			
TL	2750	2230	4170	3825	170	170	8	10	8	10	5500	5500		
	3050	2380	4470	4125	170	170	8	10	8	10	5500	5500		
	3400	2555	4820	4475	170	170	8	10	8	10	5500	5500		
	3750	2880	5170	4825	170	170	8	10	8	10	5500	5500		
	4000	3005	5420	5075	170	170	8	10	8	10	5500	5500		
	4600	3445	6020	5675	170	170	8	8	8	5	5400	4900		
TF	2875	2210	4275	3905	870	1240	8	10	8	10	5500	5500		
TT	3875	2090	5290	4900	750	1140	8	8	8	8	5500	5500		
	4125	2180	5555	5165	840	1230	8	8	8	8	5500	5500		
	4575	2330	6005	5615	990	1380	8	8	8	8	5500	5500		
	5025	2480	6455	6065	1140	1530	8	5	8	8	5150	4925		
	5475	2630	6905	6515	1290	1680	8	3	8	5	4500	4575		
	5925	2780	7355	6965	1440	1830	8	3	8	5	3500	3375		

Note: Mast specifications and rated capacities are based on standard chassis equipped with Pneumatic tyre without sidershifter.

Standard Features

1. Euro stage V Engine
2. Directional lever
3. Mast interlock - tilt, lift and lower
4. 3-way valve, 3 levers
5. Waterproof connectors
6. Dual element air cleaner
7. Full floating driveaxle with oil-cooled disc brakes
8. Easy to service
 - Integrated electric components in the junction box (relays and fuses)
 - Toolless access to the side floor mat and plate
 - Wide hood open range
9. Operator design features
 - Clear-view overhead guard and mast design
 - Wide, spacious floorboard
 - Removable floor mat and plate
 - Operator Presence Sensor
 - Parking brake alarm
 - Entry grab bar
 - LCD screen
 - Seat belt indicator
 - Adjustable steer column
 - Small steering wheel
 - USB port
 - 12 V electrical outlet

Optional Equipment

1. Operator design features
 - Auto tilt leveling
 - Fingertip controls
3 Way, 3 Levers or
4 Way, 4 Levers
 - Mirrors
 - Premium suspension seat with:
Armrest, seat heater and lumbar support
 - Modular cabin versions
 - Air conditioner for hard cabin
 - Heater for hard cabin
 - Radio with MP3 player
2. Lights
 - LED Front worklights with turn signals
 - LED Rear lights with back-up and turn signals
 - LED Rear worklights
3. Audible warning devices
 - Back-up travel alarm
4. Visual warning devices
 - Flashing light
 - Floor spotlight (blue light)
5. Attachments
 - Hang-on sideshifter
 - Fork positioner with integrated sideshifter
6. Rear-view camera for hard cabin
7. Radio with MP3 player
8. Heavy-duty operation
 - Pre-cleaner
 - Heavy-duty cooling system
9. InfoLink® Ready

Warning Device Notes

Audible or visual alerts

Safety considerations and dangers associated with audible travel alarms and lights include:

- Multiple alarms and/or lights can cause confusion.
- Workers ignore the alarms and/or lights after day-in and day-out exposure.
- Operator may transfer the responsibility for "looking out" to the pedestrians.
- Annoys operators and pedestrians.

Other Options Available

Contact Crown for additional options.

Dimensions and performance data given may vary due to manufacturing tolerances. Performance is based on an average size vehicle and is affected by weight, truck condition, truck equipment and the conditions of the operating area. Crown products and specifications are subject to change without notice.